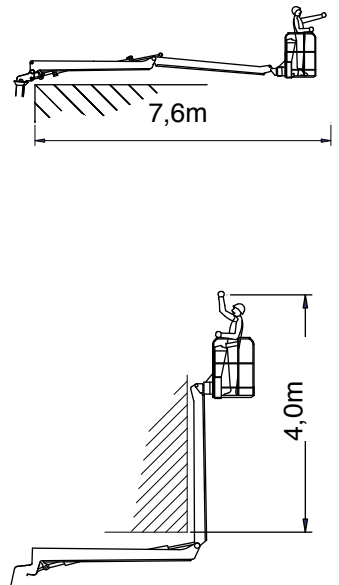
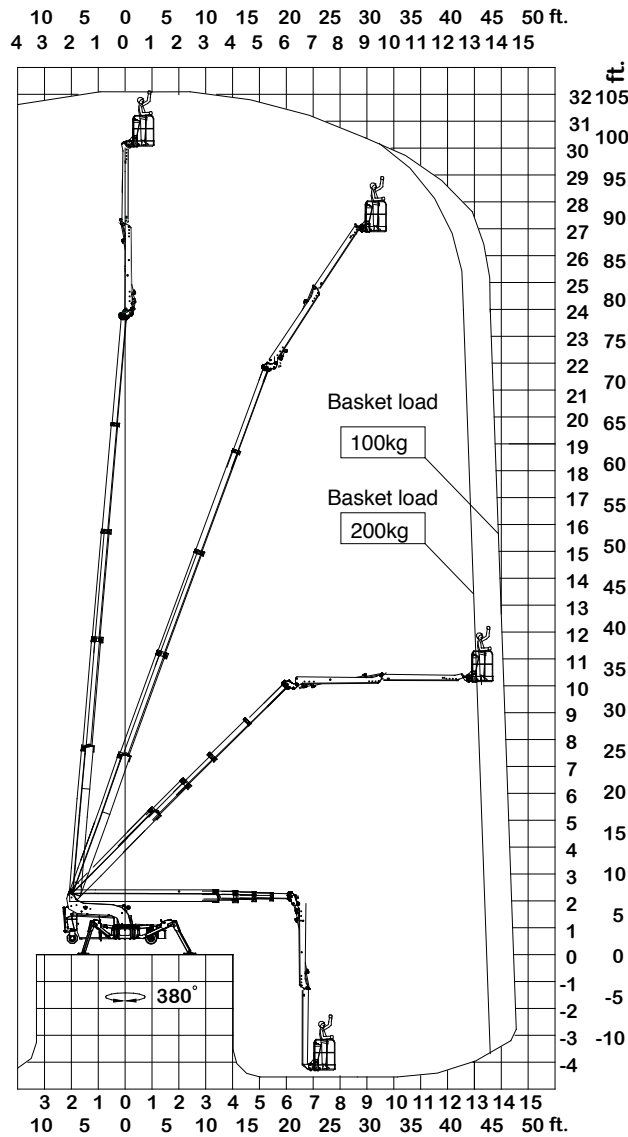
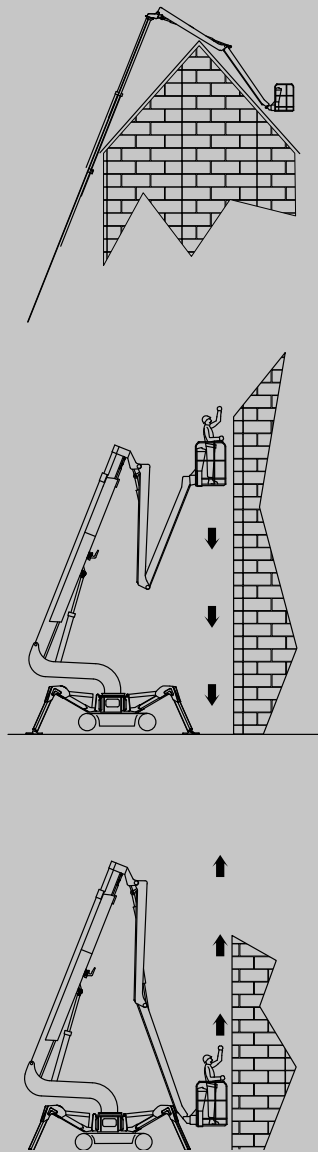


# FALCON FS320

## Reach diagram — Optimized position

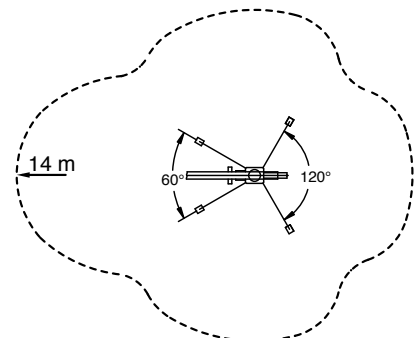
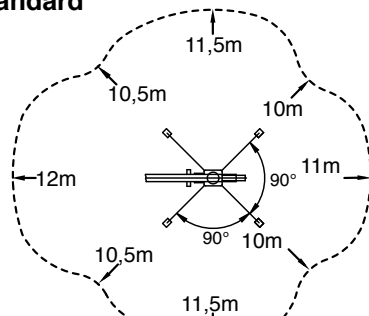


## Reach with outriggers in different positions

### Standard

Measurements in meters

### Optimized



Basket load = 200kg

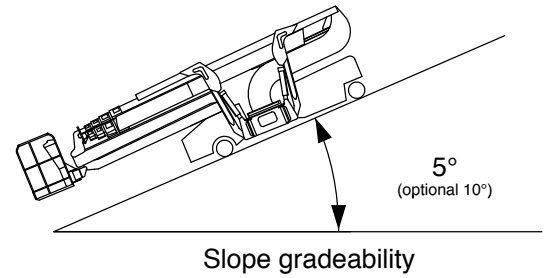
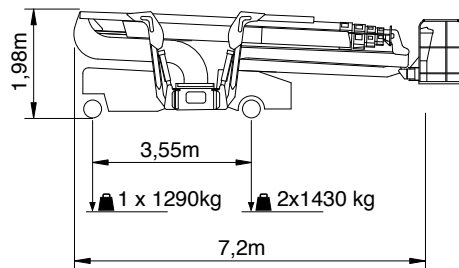
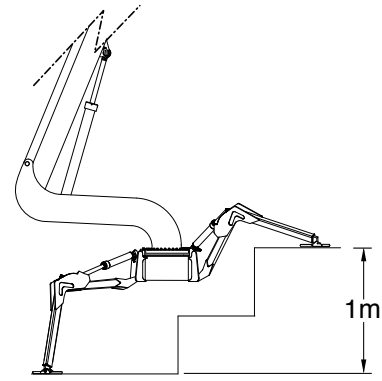
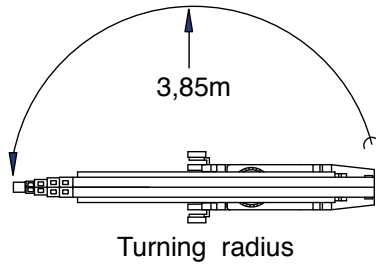
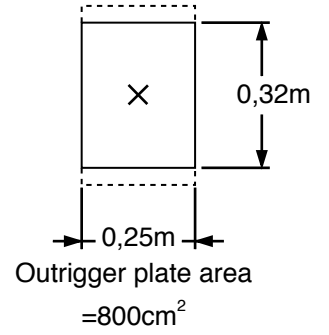
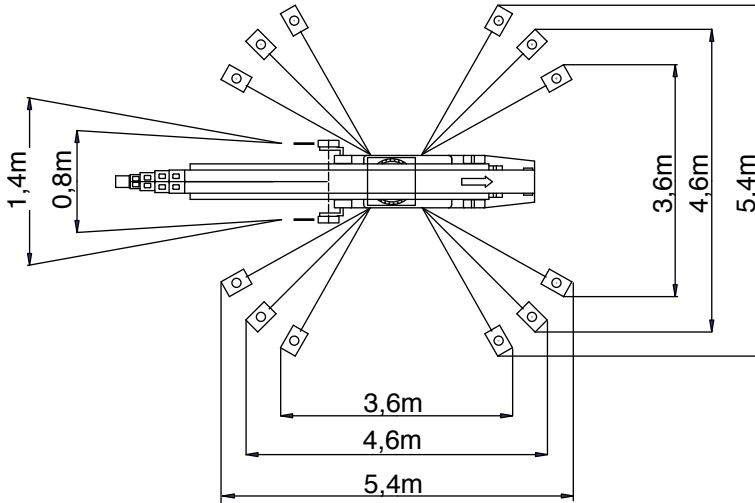
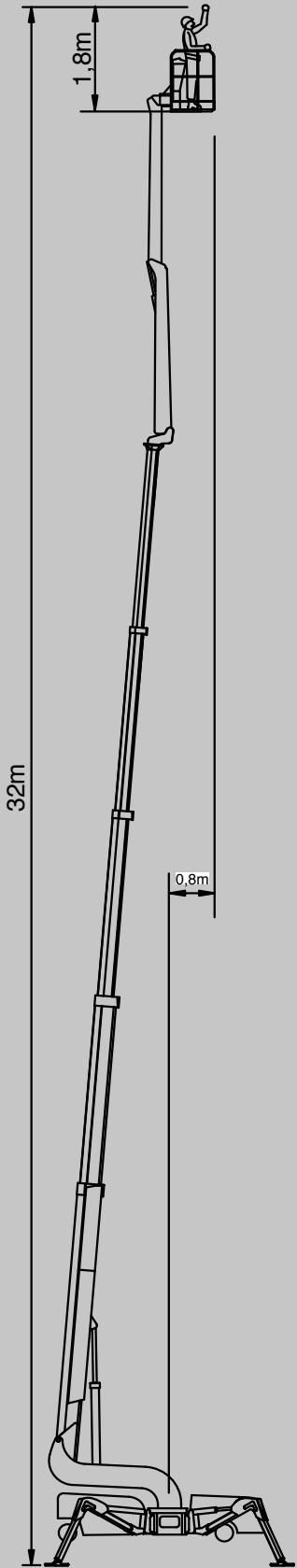
Basket load = 100kg

## TCA LIFT A/S

Tolderlundsvej 106  
DK • 5000 Odense C  
Tel.: +45 66 13 11 00

[www.tcalift.com](http://www.tcalift.com)

All measurements are intended as guide. Choice of equipment may change the mentioned measurements



## Additional info:

### Weight and ground pressure:

Weight with standard equipment	4150 kg
Max. ground pressure under 1 wheel	8,0 kg/cm <sup>2</sup>
Max. ground pressure under 1 outrigger plate	2,9 kg/cm <sup>2</sup>
Front wheel area (depending on wheel type)	1 x 170 cm <sup>2</sup>
Rear wheel area (depending on wheel type)	2 x 179 cm <sup>2</sup>

As all our products are in a constant process of development we reserve the right to alterations