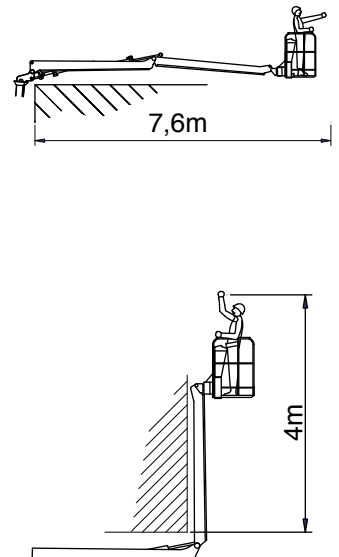
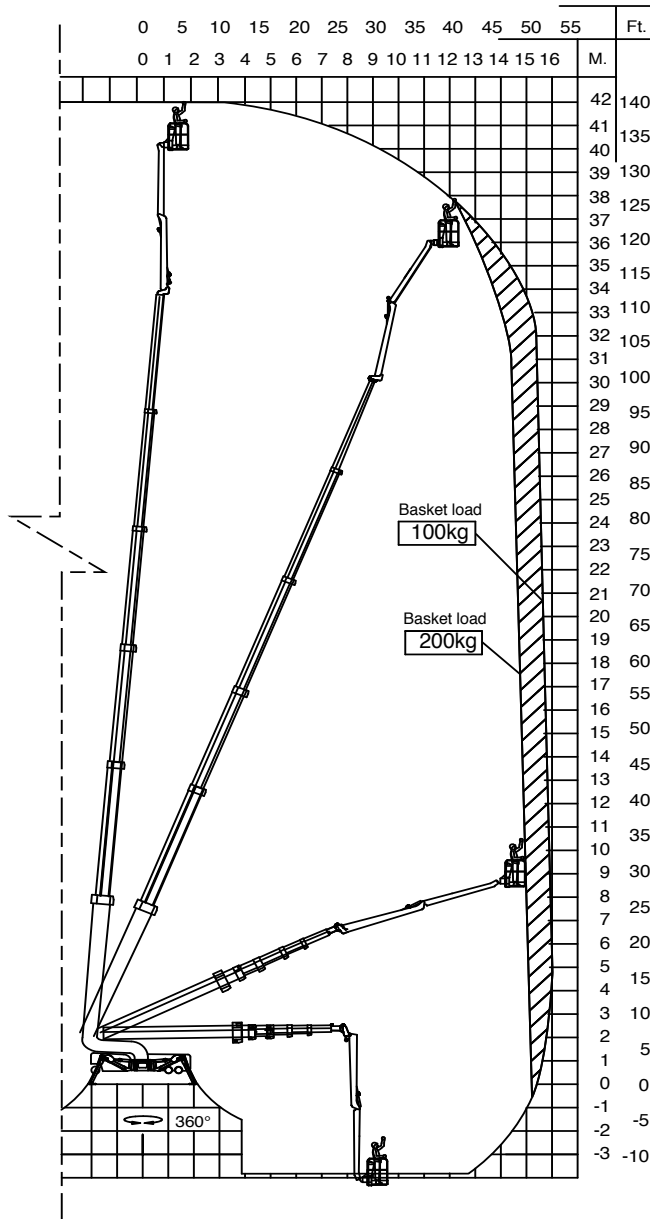
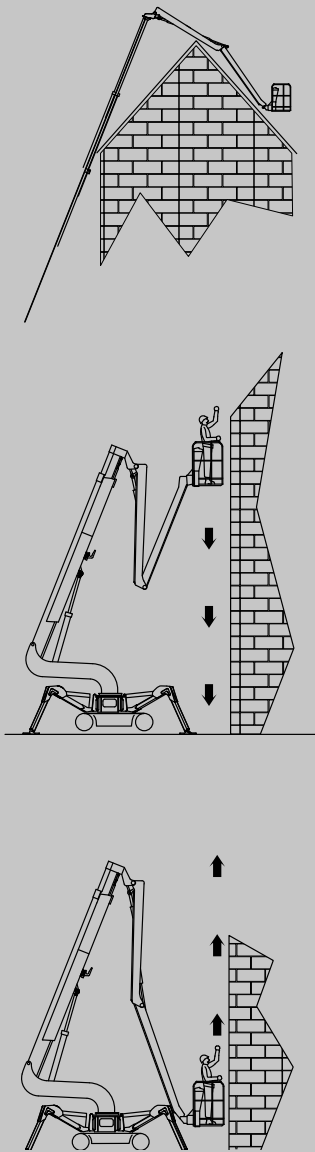


FALCON FS420

Reach diagram — Optimized position

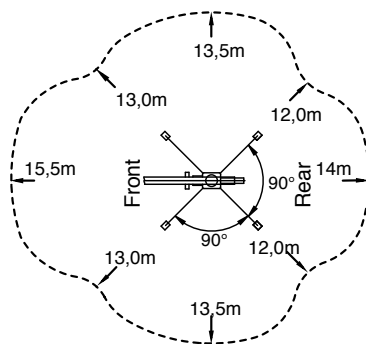


Reach with outriggers in different positions

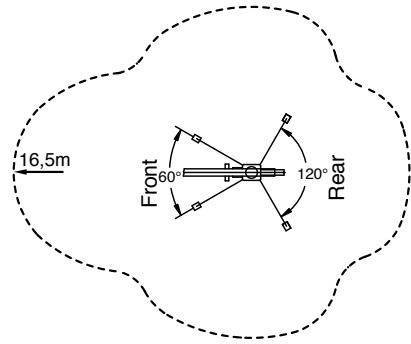
Standard

Measurements in meters

Optimized



Basket load = 200kg



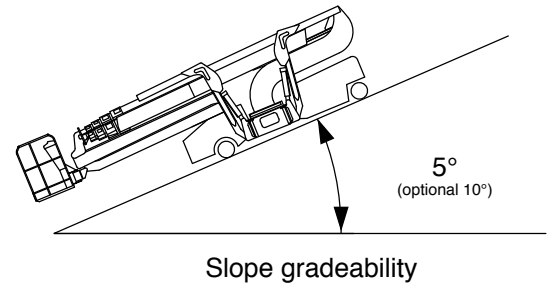
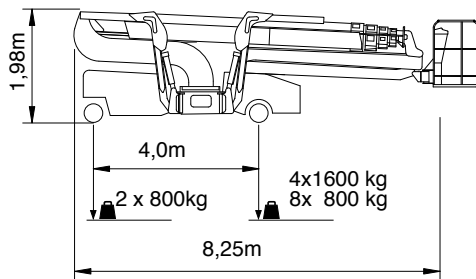
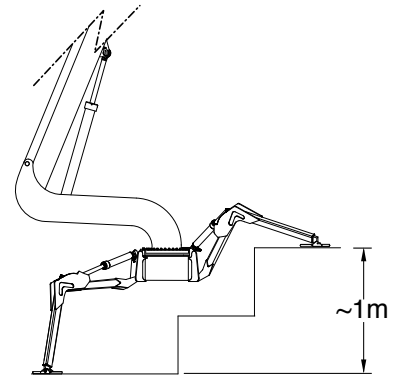
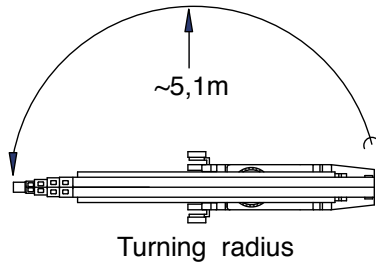
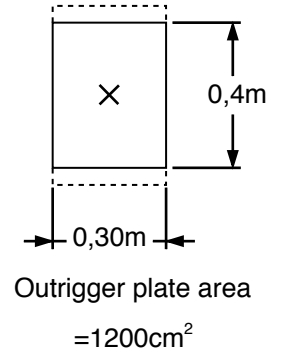
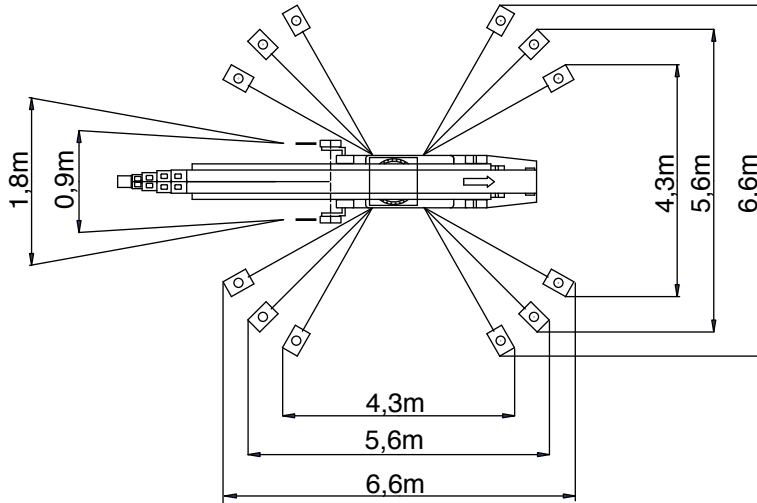
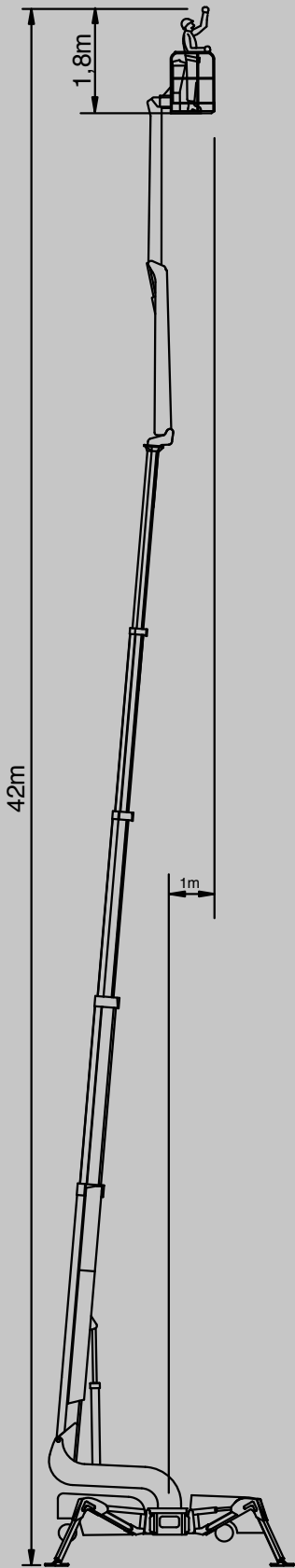
Basket load = 100kg

TCA LIFT A/S

Tolderlundsvej 106
DK • 5000 Odense C
Tel.: +45 66 13 11 00

www.tcalift.com

All measurements are intended as guide. Choice of equipment may change the mentioned measurements



Additional info:

Weight and ground pressure:

Weight with standard equipment	8000 kg
Max. ground pressure under 1 wheel (with 4 rear wheel)	6,8 kg/cm ²
Max. ground pressure under 1 wheel (with 8 rear wheel)	3,7 kg/cm ²
Max. ground pressure under 1 outrigger plate	3,0 kg/cm ²
Front wheel area (depending on wheel type)	2 x ~ 216 cm ²
Rear wheel area (depending on wheel type)	4 x ~ 234 cm ²

As all our products are in a constant process of development we reserve the right to alterations