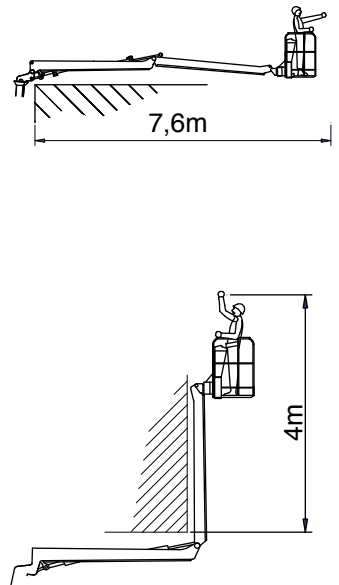
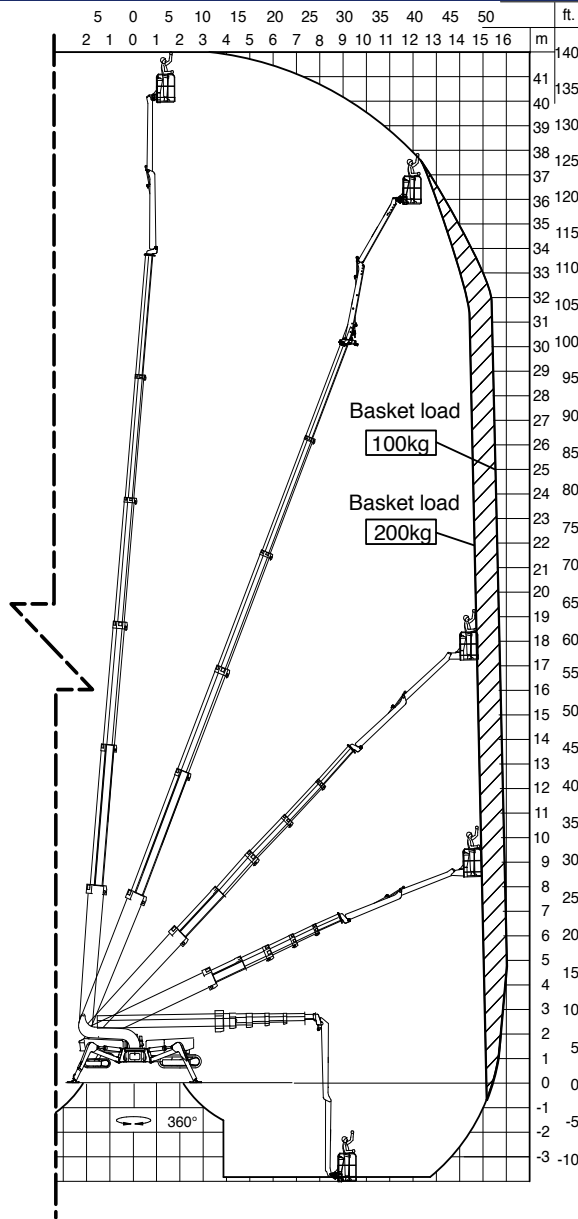
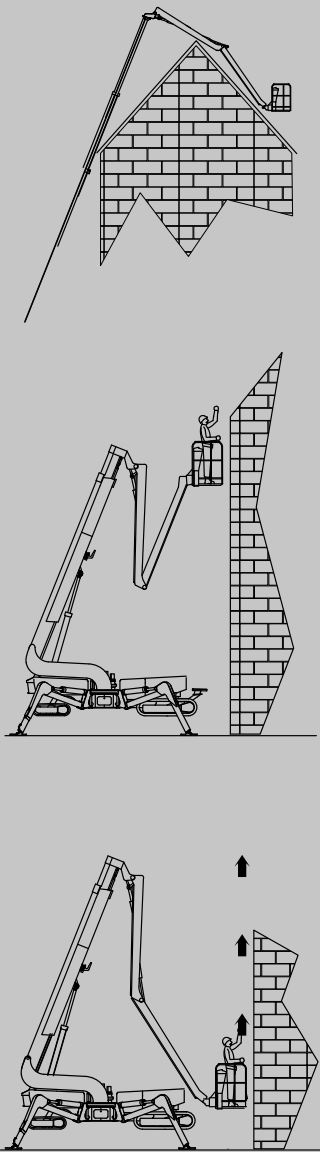


FALCON FS420C

Reach diagram — Optimized position

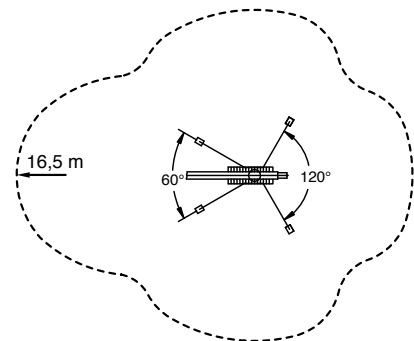
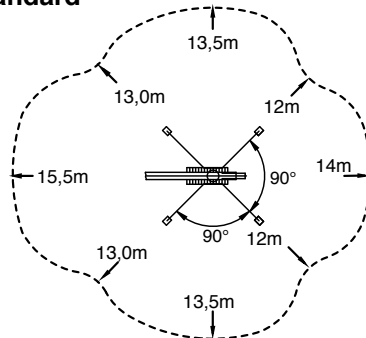


Reach with outriggers in different positions

Standard

Measurements in meters

Optimized



Basket load = 200kg

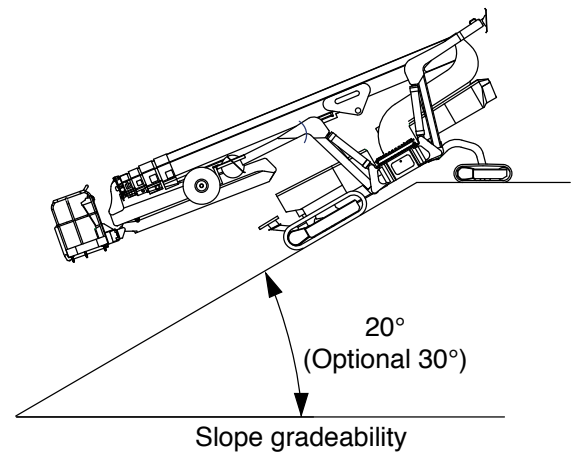
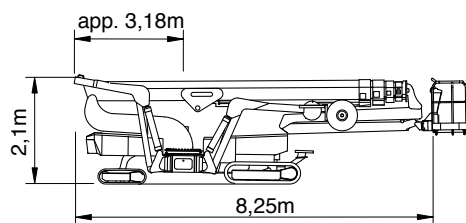
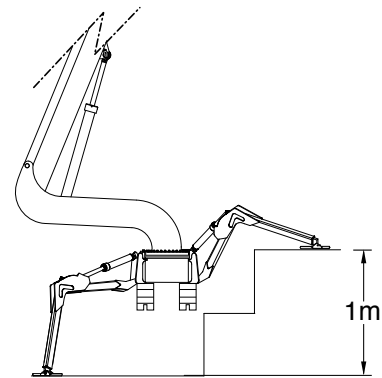
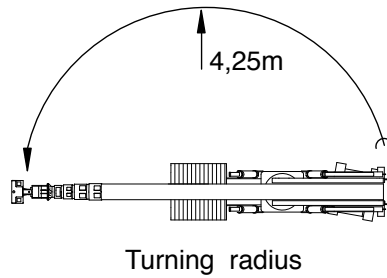
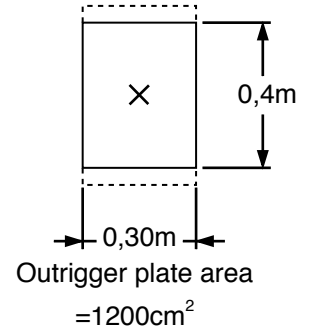
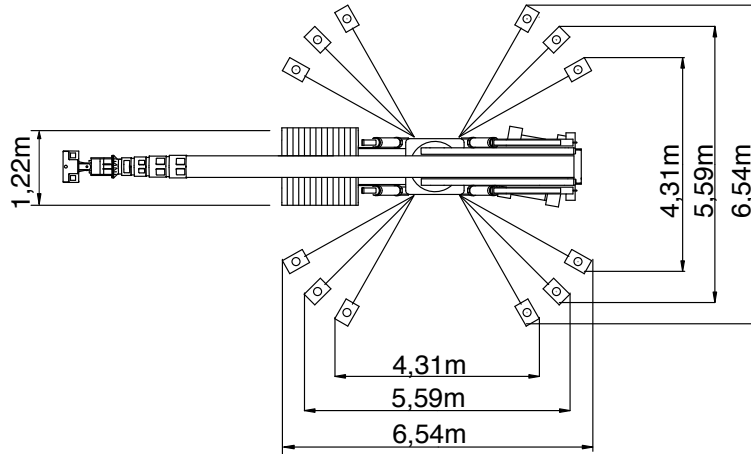
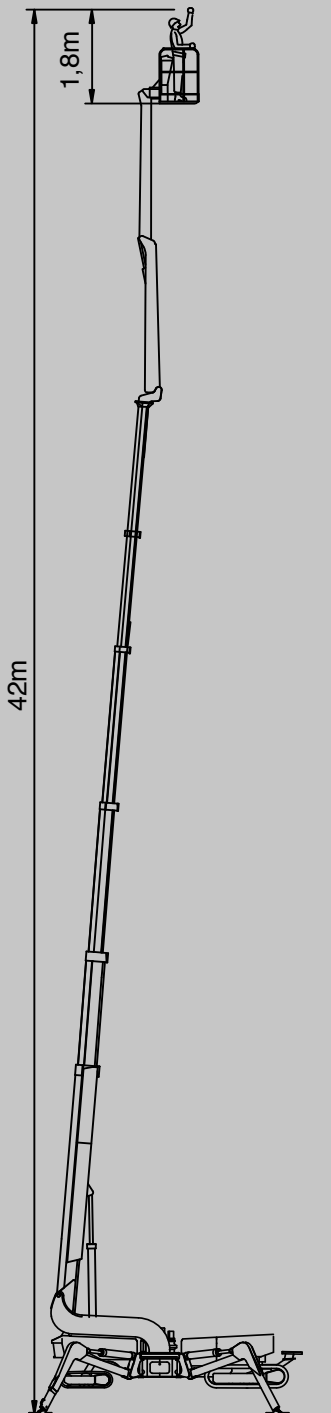
Basket load = 100kg

All measurements are intended as guide. Choise of equipment may change the mentioned measurements

TCA LIFT A/S

Tolderlundsvej 106
DK • 5000 Odense C
Tel.: +45 66 13 11 00

www.tcalift.com



Additional info:

Weight and ground pressure:

Weight with standard equipment	8200 kg
Surface pressure under crawlers (soft surface)	1,30 kg/cm ²
Surface pressure under crawlers (hard surface)	2,75 kg/cm ²
Max. ground pressure under 1 outrigger plate	3,10 kg/cm ²

As all our products are in a constant process of development we reserve the right to alterations