

# Specifications

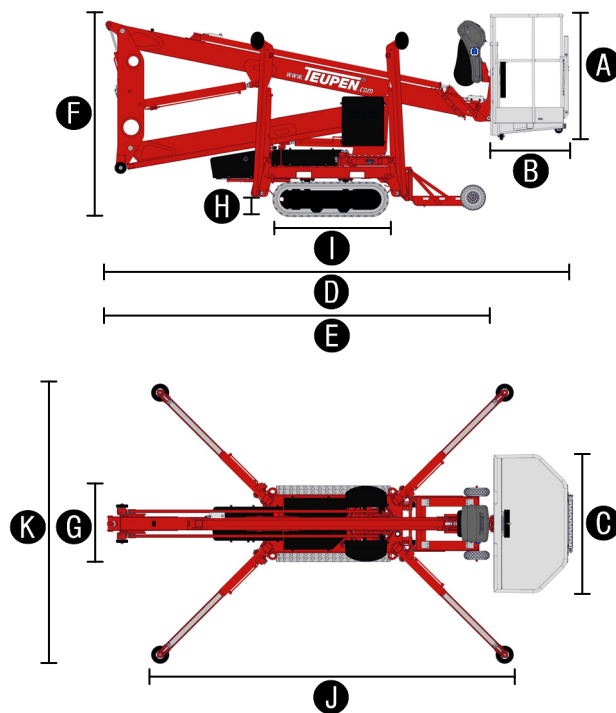
MEASUREMENTS	Metric	US
Working height, max.	12,75 m	41 ft 10 in
Horizontal outreach, max.	6,05 m	19 ft 10 in
Up-and-over clearance, max.	4,60 m	15 ft 1 in
Platform height (A)	1,10 m	3 ft 7 in
Platform length (B)	0,70 m	2 ft 4 in
Platform width (C)	1,40 m	4 ft 7 in
Length, overall (D)	4,75 m	15 ft 7 in
Length without basket (E)	4,00 m	13 ft 1 in
Height, travelling position (F)	1,99 m	6 ft 6 in
Width, min. (G)	0,78 m	2 ft 7 in
Ground clearance, max. (H)	0,40 m	1 ft 3¾ in
Track (L x W) (I)	118 x 18 cm	3 ft 10 in x 7 in
Length stabiliser footprint, max. (J)	3,69 m	12 ft 1 in
Width stabiliser footprint, max. (K)	2,86 m	9 ft 5 in
Stabiliser pads Ø	0,18 m	7 in

PRODUCTIVITY	Metric	US
Basket capacity	200 kg	441 lbs
Movable jib	-	-
Turret rotation	355°	355°
To be jacked up on ground slope of	10°/17,5 %	10°/17.5 %
Height and width track adjustment	-	-
Gradeability, max.	14,6°/25,5 %	14.6°/25.5 %
Slope angle	14,6°/25,5 %	14.6°/25.5 %
Travel speed	1,0 km/h	0.6 mph

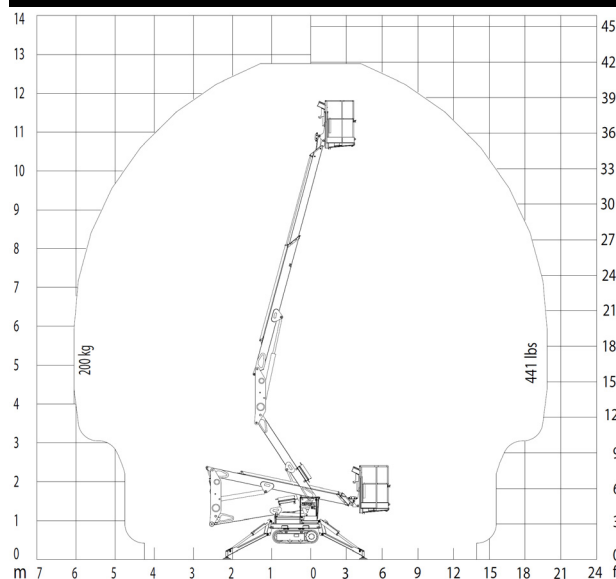
WEIGHT	Metric	US
Total weight	1400 kg	3086 lbs
Live load in travelling position	4,27 kN/m <sup>2</sup>	89.2 psf
Live load in working position	1,75 kN/m <sup>2</sup>	36.6 psf
Point load per outrigger plate, max.	11,7 kN	2630 lbf

POWER		
Standard power source	<b>Electric:</b> EU: 230 V, 12,9 A, 2,2 kW US: 115 V, 19.3 A, 1.6 kW	
Optional power sources	<b>1) Generator (external)</b> <b>2) Petrol/Gas:</b> Robin-Subaru-EX21 (3,7 kW/5 hp)	
Fuel tank capacity petrol/gas engine	3,6 l	0.95 gal

## LE13GT



### WORKING ENVELOPE



### STANDARDS COMPLIANCE



Product specifications are subject to change without notice or obligation. Photographs and drawings in this document are for illustrative purposes only. Refer to the appropriate Operator's Manual for instructions on the proper use of this equipment. Failure to follow the appropriate Operator's Manual when using our equipment or to otherwise act irresponsibly may result in serious injury or death. The only warranty applicable to our equipment is the standard written warranty applicable to the particular product and sale and we make no other warranty, expressed or implied. Products and services listed may be trademarks, service marks or trade-names of Teupen Maschinenbau GmbH and/or its subsidiaries in the U.S.A. and many other countries. "Teupen", "Access redefined" and "LEO Series" are registered Trademarks of Teupen GmbH in the United States of America and many other countries. Version 2014-A © 2014 Teupen Maschinenbau GmbH.

# Features

## TRACK CHASSIS

- Powerful track drive for precise maneuvering and terrainability
- Rubber tracks with specially arranged profile providing optimum grip
- White, non-marking rubber tracks

## STABILISATION

- Fully-hydraulic, automatic levelling system
- Constant outrigger/stabiliser setup monitoring with ground pressure sensing
- Wear resistant, anti-friction PVC outrigger/stabiliser feet

## BOOM SYSTEM

- Removable cable remote control
- All functions are available from one control panel
- Electric-proportional controls with intuitive operator guidance
- Robust, lockable control panel cover
- Self-levelling platform with fully-hydraulic levelling system
- Boom rotation via high-performance slew ring, worm gear and hydraulic motor
- Detachable two-person basket with eyelets for safety harnesses
- Emergency controls and emergency lowering system via hand pump or 230 V drive
- 355° turntable rotation

## POWER SOURCES

- 230 V electric motor (EU), 115 V electric motor (US)
- Detachable cart for external generator

## PRODUCTIVITY, SAFETY, QUALITY

- Sturdy base frame with full length forklift pockets
- 230 V (EU), 115 V (US) power outlet in the basket
- High-quality paint in RAL 3020 (red)
- Drive operation without basket available
- Cables and hoses are safely routed through the boom structure
- Biodegradable hydraulic oil
- Lock valves - hydraulic return valves directly on all hydraulic cylinders
- Relief valves protecting the hydraulic system from too high pressures
- Protective covers for oil-tank, emergency controls and connecting cables and hoses
- Protective covers for electric housing and ground control panel
- Hour meter
- Fuzzy IV control technology



## OPTIONS

- Robin-Subaru EX21 petrol/gas engine (3,7 kW/5 hp) incl. mount and cover  
This option can not be combined with any generator
- Custom paintwork, one colour, according to RAL scheme (except metallic coatings, signal- or special colors)
- Custom paintwork, two colours, according to RAL scheme (except metallic coatings, signal- or special colors)
- Generator Endress with start-stopp device  
This option can not be combined with the combustion engine. Only one generator can be selected.

## ACCESSORIES

- Generator Endress ESE 4500 T  
This option can not be combined with the combustion engine. Only one generator can be selected.
- Safety harness
- Outrigger/Stabiliser pad (450 x 400 x 40 mm/1 ft 5 in x 1 ft 4 in x 1½ in)
- Lockable storage frame for outrigger/stabiliser pads
- 4 outrigger/sliding pads (650 x 220 x 60 mm/2 ft 2 in x 9 in x 2⅓ in)
- Track mat (2000 x 800 x 15 mm/6 ft 6 in x 3 ft 3 in x ½ in)
- Lifting device (200 kg/441 lbs load capacity)  
This option can only be ordered in combination with the mounting for the lifting device
- Mounting for lifting device
- 4 covers on piston rod (outrigger/stabiliser) cylinders

## TRAILERS

- Tandem Low Platform trailer (aluminium) including 4 tension belts (length 3,50 m/11 ft 6 in) permissible total weight: 3000 kg/6,614 lbs  
Tandem rubber-sprung axle: 3000 kg/6,614 lbs  
Net weight: approx. 440 kg/882 lbs  
Wheels 155/70/R12 ET20  
Lighting fitting according to EU directives
- Tandem Low Platform trailer (steel) including 4 tension belts (length 5,30 m/17 ft 5 in) Permissible total weight 3000 kg/6,614 lbs  
Tandem rubber-sprung axle: 3000 kg/6,614 lbs  
Net weight: approx. 476 kg/1,049 lbs  
Wheels 185 R14 C8  
Lighting fitting according to EU directives

**Enquiries from Europe, Asia, Middle East & Africa:**

Corporate Headquarters

**Teupen Maschinenbau GmbH**  
Marie-Curie-Str. 13  
48599 Gronau, Germany

phone +49 2562 8161-0  
fax +49 2562 8161-888

mail@teupen.com  
www.teupen.com

**Enquiries from North & South America:**

US Office

**Teupen USA, Inc.**  
10701 Southern Loop Blvd.  
Pineville, NC 28134, USA

phone (704) 248-9871  
fax (704) 248-9889

infousa@teupen.com  
www.teupen.com/us